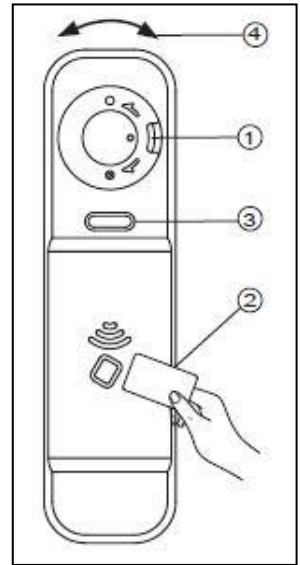


# AL7005 RFID LOCK INSTRUCTIONS

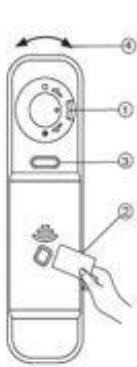
If the GREEN lock indicator is showing on the knob (1) skip to **“TO ASSIGN A USER FOB/S”** instructions in the middle of this page to assign black user fobs. If the RED indicator is showing perform the following steps:

- A) Touch Yellow Setting Fob once to the wi-fi symbol (2) on the flat surface on the front of the lock.
- B) A green light will flash (3) and the lock will beep once.
- C) Rotate the knob (4) clockwise 90 degrees (1/4 turn) – you will see a GREEN indicator on the knob (1).



## **TO ASSIGN A USER FOB/S now follow the instructions below:**

### Setting & Locking & Unlocking



#### Add a User Card

- Ⓜ Note: Please ensure that the lock is in the OPEN position (indicated by the color green) before registering.
- ① Touch the Setting Card to the front of the lock. (When you hear 2 'Beep' sounds and see the green LED flash, it means you've entered setup mode.)
  - ② In setup mode:
    - \* Register 1 card: Touch an unregistered User Card to the front of the lock. Hear 1 'Beep' sounds and the Green LED continue flash.
    - \* Register 2 cards: Touch an unregistered User Card to the front of the lock. Hear 1 'Beep' sounds and the Green LED continue flash. Touch another card to register.
  - ③ The LED stops flashing, the setting is complete.

Ⓜ Note: The maximum number of cards that can be registered is 2. Registering a third card will erase all the original registered card.

#### To Lock

- ① Lock in the OPEN position (indicated by the color green)
- ② Touch the User Card to the front of the lock
- ③ Rotate the knob to lock the door

#### To Unlock

- ① Lock in the CLOSE position (indicated by the color red)
- ② Touch the User Card to the front of the lock
- ③ Rotate the knob to open the door

### Technical Specifications

- **Card Specifications** : 13.56 MHz frequency, ISO14443A RFID card
- **Battery** : 2 x AAA alkaline batteries
- **Low Battery Warning** : When the battery is running low, rotate the knob to the unlock/lock position, and the red light will flash three times. At this point, please replace the batteries as soon as possible. If the battery is totally out of power, then please use the Master Key to unlock and replace the new batteries.

### Forget the card or Urgent Condition

- If you lose the User Card and can't unlock the cabinet, then please contact customer service center.

### Light (LED) and Sound Instructions

| Operation Instructions  | LED Instructions   | Sound Instructions |
|---|--|--------------------|
| Setting Card Unlock   | Green light flashes once   | 1 short beep       |
| Setting Card detected in unlock status                                | Green light flashing   | 2 short beeps      |
| Setting User Card   | Green light flashes once   | 1 short beep       |
| Setting Complete  | Stop flashing  | X                  |
| Touch the Setting Card without setting the User Card after 20 seconds | Stop flashing  | X                  |
| User Card Lock/Unlock   | Green light flashes once   | 1 short beep       |
| Incorrect User Card Lock/Unlock                                       | X  | X                  |
| Touch the User card without turning the knob after 10 seconds         | Red light flashes twice  | 2 short beeps      |
| Low Battery Lock/Unlock   | Green light flashes once, rotate the knob to the lock/unlock position, red light flashes 3 times | 1 short beep       |

## **LOST USER FOB PROCEDURE (when lock is locked)**

- 1) Use Yellow Setting FOB to unlock lock by touching FOB to front face of lock – green light will flash once and lock will beep. Rotate knob clockwise to open lock – GREEN indicator (1) on knob is displayed.
- 2) Assign a new replacement fob/s as per procedures above.

Note: If lock batteries are flat the override key can be used to LOCK and UNLOCK the lock to change batteries.